

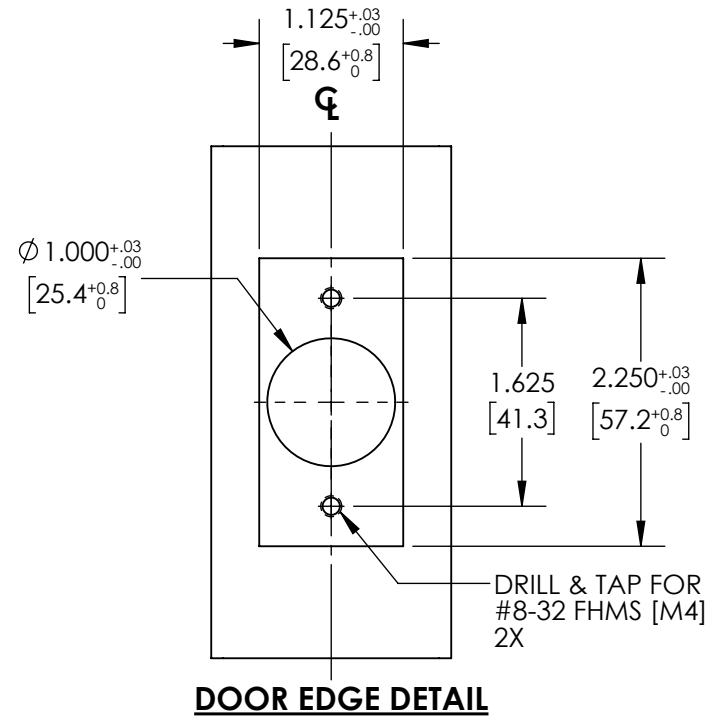
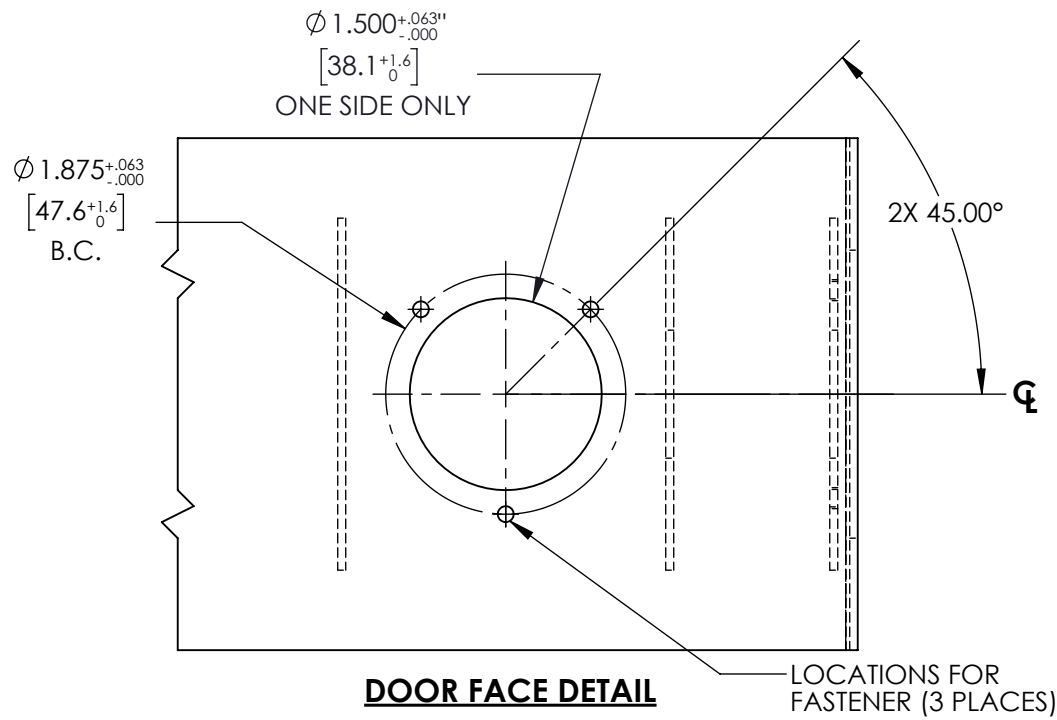
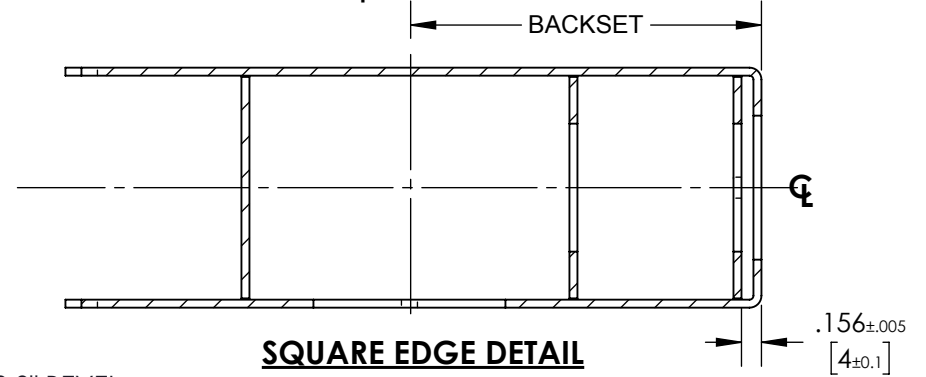
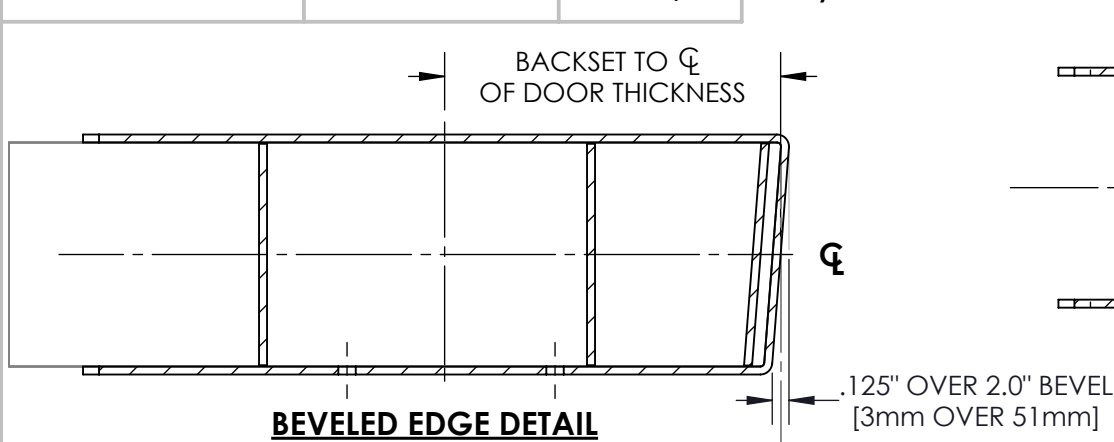
**NOTES:**

1. DRAWING IS NOT TO SCALE.
2. DIMENSIONS ARE IN INCHES/[MM].

**WOOD DOORS FOR:**  
D881

**dormakaba**

dormakaba USA Inc  
DORMA DRIVE  
REAMSTOWN,  
PA 17567  
800 523 8483



- NOTES:**
1. DRAWING IS NOT TO SCALE.
  2. DIMENSIONS ARE IN INCHES/[MM].

**METAL DOORS FOR:**  
D881



dormakaba USA Inc  
DORMA DRIVE  
REAMSTOWN,  
PA 17567  
800 523 8483